

**BALTINA**

[www.baltina.com.pl](http://www.baltina.com.pl)  
[info@baltina.com.pl](mailto:info@baltina.com.pl)

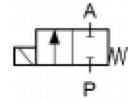
**Elektrozawory wysokociśnieniowe  
o dużym przepływie  
seria BS3 G3/8 DN8 mm**

**80-314 GDAŃSK  
Grunwaldzka 303  
tel. +48 58 520 81 62  
fax +48 58 765 11 21**

**TECHNICAL DATA:**

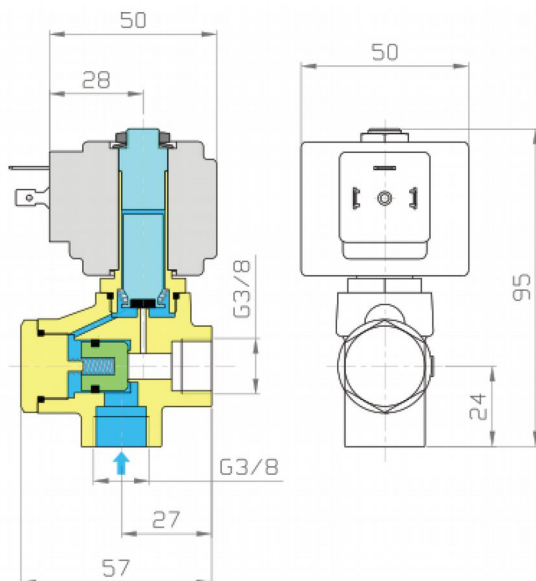
- **Body:** brass, stainless steel
- **Internal parts:** stainless steel
- **Seals:** PA, PTFE
- **Fluid temperature:** -10°C to +100°C (PTFE); +90°C (PA)
- **Ambient temperature:** max +55°C
- **Viscosity:** max 21 mm<sup>2</sup>/s
- **Response times:** opening 0.1 - 1 s; closing 0.5 - 5 s
- **Voltage:** 230, 115, 48, 24 V AC; 24, 12 V DC
- **Duty cycle:** continuous (ED100%)
- **Cycling rate:** 10 - 100 cycles/min
- **Electrical protection:** IP65 (with plug to ISO 4400)

**Closed when de-energised (NC)**



**Type BS3 / XBS3**

Ports	Orifice size [mm]	Flow coefficient Kv [l/min] water (p = 1 bar)	Differential pressure [bar]		Material		Mass [kg]	Coil type	Model	Voltage	Power [W]
			min	max	body	seal					
G3/8	8	30	0.8	100	Brass	PEEK	0.65	TM35	BS3	230 V AC	8
				200	Brass	PEEK				0.65	TM35
				230 V AC	16						
				24 V DC	12						



**BALTINA**

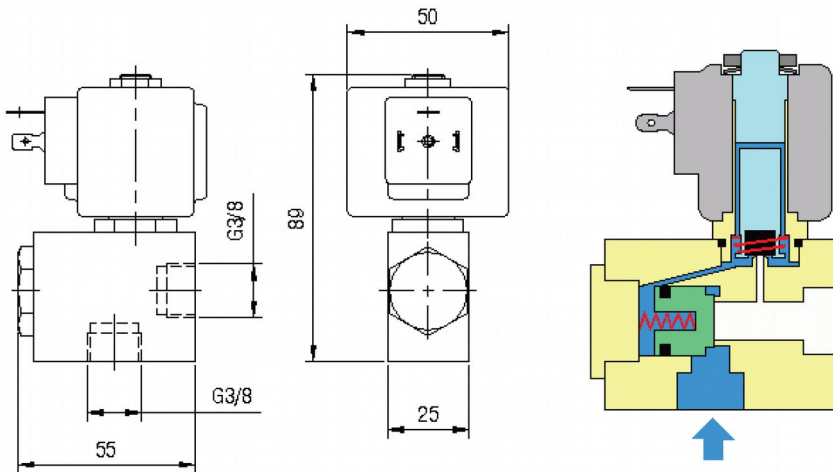
[www.baltina.com.pl](http://www.baltina.com.pl)  
[info@baltina.com.pl](mailto:info@baltina.com.pl)

**Elektrozawory wysokociśnieniowe  
o dużym przepływie  
seria BS3 G3/8 DN8 mm**

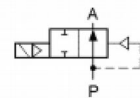
**80-314 GDAŃSK  
Grunwaldzka 303  
tel. +48 58 520 81 62  
fax +48 58 765 11 21**

## Type BS3N

Ports	Orifice size [mm]	Flow coefficient Kv [l/min] water (p = 1 bar)	Differential pressure [bar]		Material		Mass [kg]	Coil type	Model	Voltage	Power [W]
			min	max	body	seal					
G3/8	8	30	0.8	200	INOX	PEEK	0.65	TM35	BS3N	230 V AC	16
				150	INOX	PTFE	0.65	TM35	BS3N	24 V DC	18
				100	INOX	PTFE	0.65	TM35	BS3N	230 V AC	8
										24 V AC	8
							12 V DC	12			



**Opened when de-energised (NO)**



## Type BS3NO / BS3xNO

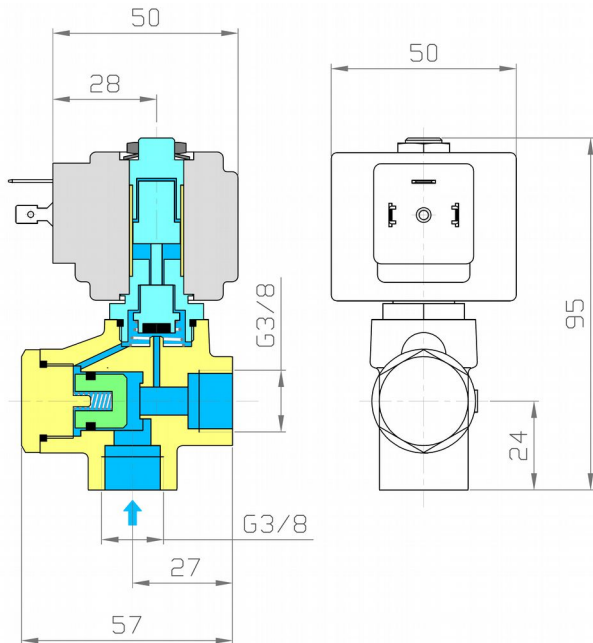
Ports	Orifice size [mm]	Flow coefficient Kv [l/min] water (p = 1 bar)	Differential pressure [bar]		Material		Mass [kg]	Coil type	Model	Voltage	Power [W]
			min	max	body	seal					
G3/8	8	30	0.8	80	Brass	PTFE	0.8	TM35	BS3NO	230 V AC	16
				135	Brass	PEEK	0.8	TM35	BS3xNO	24 V AC	8
										24 V DC	18

**BALTINA**

[www.baltina.com.pl](http://www.baltina.com.pl)  
[info@baltina.com.pl](mailto:info@baltina.com.pl)

**Elektrozawory wysokociśnieniowe  
o dużym przepływie  
seria BS3 G3/8 DN8 mm**

**80-314 GDAŃSK  
Grunwaldzka 303  
tel. +48 58 520 81 62  
fax +48 58 765 11 21**



## Type BS3NNO

Ports	Orifice size [mm]	Flow coefficient Kv [l/min] water (p = 1 bar)	Differential pressure [bar]		Material		Mass [kg]	Coil type	Model	Voltage	Power [W]
			min	max	body	seal					
G3/8	8	30	0.8	150	INOX	PEEK	0.65	TM35	BS3NNO	24 V DC	18

