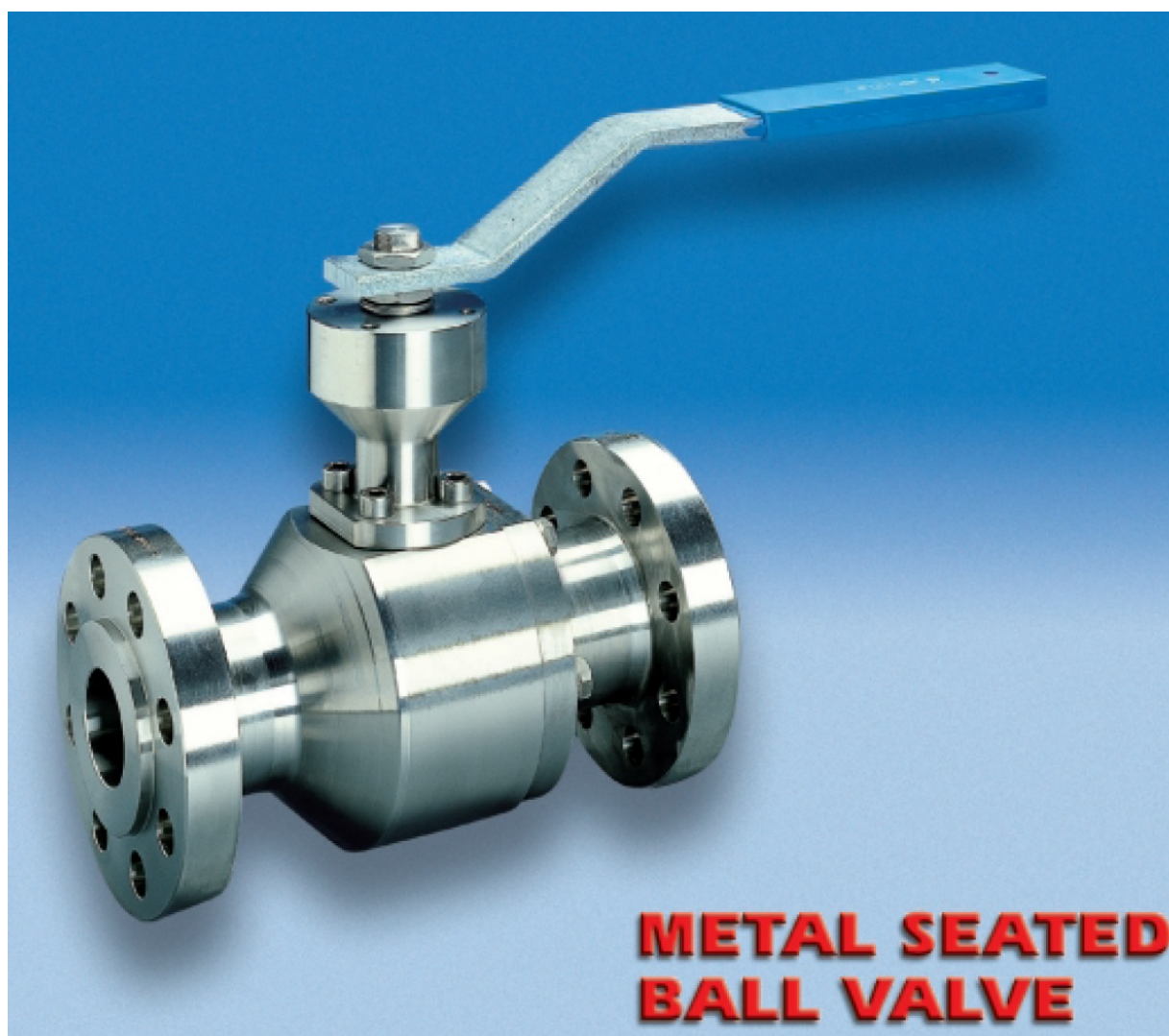


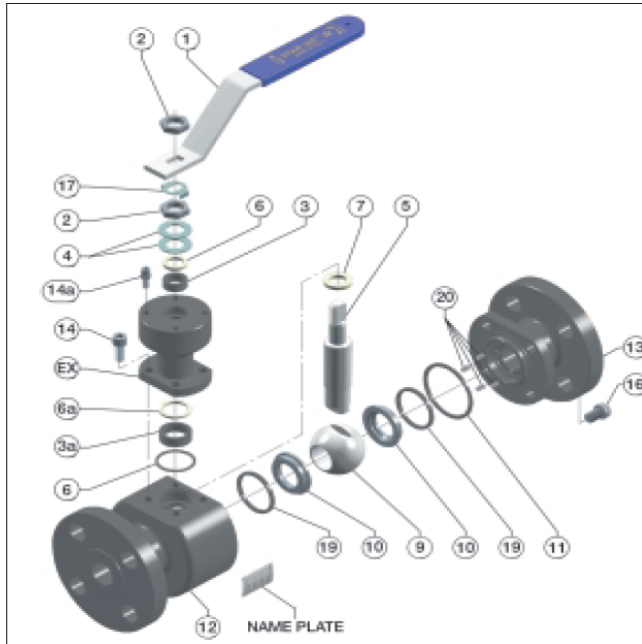
BALTINA

80-266 GDAŃSK
Al.Grunwaldzka 229
tel. 058 520 81 62
tel./fax 058 340 38 17
e-mail: info@baltina.com.pl

**ZAWORY KULOWE
Z METALICZNYM USZCZELNIENIEM KULI**



**METAL SEATED
BALL VALVE**

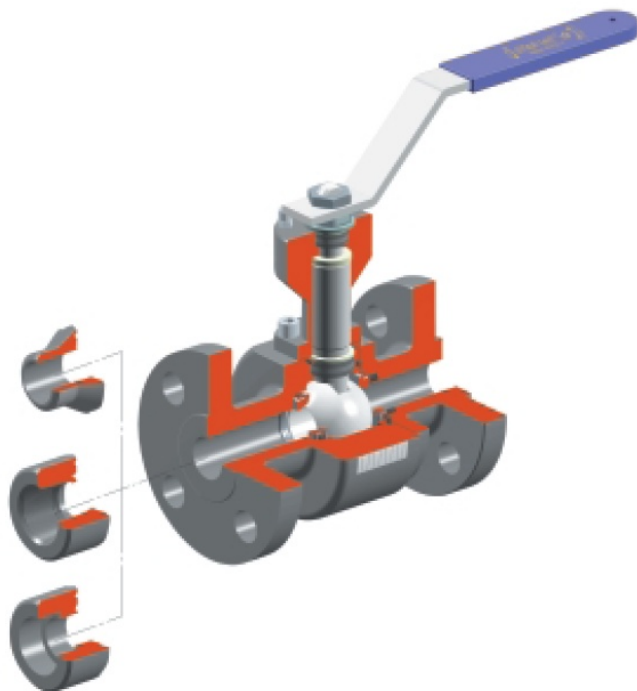


STARLINE	Full Bore	143 MGG	145 MGG	146 MGG
Figure No.	Reduced Bore	243 MGG	245 MGG	246 MGG
PART NO	UNIT Q.TY	PART NAME		
		MATERIALS	MATERIALS	MATERIALS
		A105 / 316	LF2 / 316	316 / 316
NP	1	NAME PLATE	Stainless Steel	Stainless Steel
G	1	EXTENTION GASKET	Graphite	Graphite
EX	1	EXTENTION	ASTM A105N	ASTM A350 LF2
	1	HANDLE	Stainless Steel + Plastic	Stainless Steel + Plastic
	2	HANDLE NUT	C.S. Zinc Plated	Stainless Steel
	3+3	PACKING RING	Graphite	Graphite
	2	SPRING WASHER	Special S.S. for Springs	Special S.S. for Springs
	1	STEM	UNS S31803	UNS S31803
	1+1	GLAND PACKING	Stainless Steel	Stainless Steel
	1	THRUST WASHER	Stainless Steel	Stainless Steel
	1	BALL	S.S. 316 Hardnet note 3	S.S. 316 Hardnet note 3
	2	SEATS	S.S. 316 Hardnet note 3	S.S. 316 Hardnet note 3
	2	BODY GASKET	Graphite	Graphite
	1	BODY	ASTM A105N	ASTM A305 LF2
	1	END CONNECTION	ASTM A105N	ASTM A350 LF2
	4	EXTENTION SCREW	Stainless Steel	Stainless Steel
14a	1	STOP PIN	Stainless Steel	Stainless Steel
15	nota 1	BOLTS	ASTM A193 B8	ASTM A193 B8
	1	STOP WASHER	Stainless Steel	Stainless Steel
	2	SEAT SEALS	Graphite	Graphite
	nota 2	SEAT SPRINGS	Inconell X-750	Inconell X-750

NOTE:

- 1) For size 1/4" to 1.1/2" n° 4 bolts - For size 2" n° 6 bolts
- 2) For size 1/4" to 1.1/2" n° 4 springs - For size 2" n° 6 springs.
- 3) Surface are coated with tungsten carbide, chrome carbide, stellite 6 and other coated on request

- Suggested materials after 2 years service
- Suggested materials after 5 years service



DESCRIPTION

CONSTRUCTION: TWO PIECES BOLTED CONSTRUCTION - ANTI BLOW OUT PROOF STEM DESIGN - SOLID BALL AND METAL SEATS SURFACES ARE COATED WITH TUNGSTEN CARBIDE, CHROME CARBIDE AND STELLITE 6 - ANTISTATIC DEVICE - FIRE SAFE DESIGN - ISO 5211 ON THE TOP FOR EASY AUTOMATION.

SIZE: DN 8 ÷ 50 FULL BORE -- DN 20 ÷ 80 REDUCED BORE
 1/4" ÷ 2" FULL BORE -- 3/4" ÷ 3" REDUCED BORE

CLASS: PN16 ÷ 100 or ASME 150 ÷ 600 LBS

TEMPERATURE: -200° C UP TO +700° C

MATERIAL: ASTM A105 - LF2 - 316 - 316L - F22 - INCONEL AND SPECIAL MATERIALS

DESIGN: ASME B16.34 - BS5351 - API 6D

MARKING: MSS SP25

TEST CERTIFICATE: UNI EN 10204 TYPE 3.1B UNLESS OTHERWISE REQUIRED

SERVICES: FOR EXTREME TEMPERATURE, ABRASIVE AND CORROSIVE SERVICE



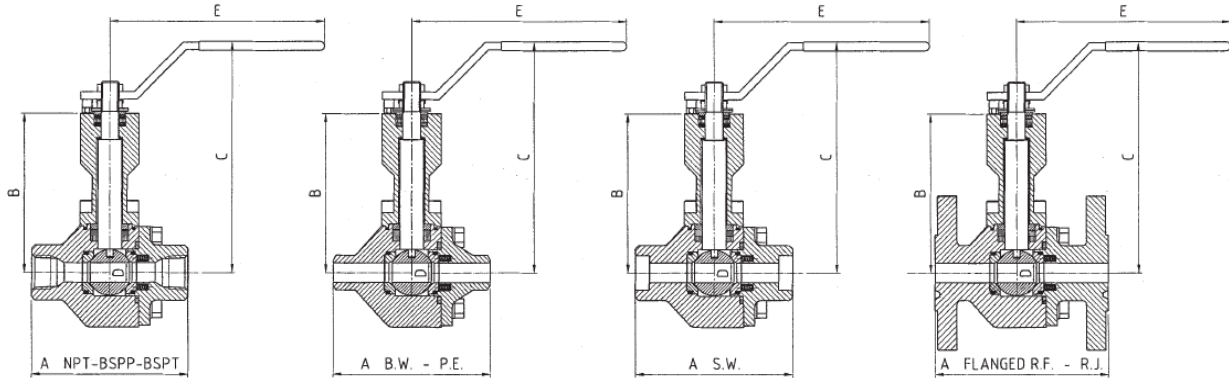
80-266 GDAŃSK
 Al.Grunwaldzka 229
 tel. 058 520 81 62
 tel./fax 058 340 38 17
 e-mail: info@baltina.com.pl

BSP Parallel: BS21Rp - ISO 228/1 - ISO 7/1Rp
 BSP Taper: BS21Rc - ISO 7/1Rc - DIN 2999/1
 NPT: ANSI B1 20.1

B.W. - P.E.: ANSI B16.25 Sch. 40 - XS - 80 - 160
 Note: other overall lengths are available on request.

S.W.: ANSI B16.11

FLANGES in according to ASME / ANSI B 16.5
 FACE TO FACE in according to ASME / ANSI B16.10
 Note: when flanges are RF type of finish must be stated on the order



FULL BORE																				
VALVE SIZE	NPT BSPP BSPT DN-PE-SW	A							B	C	D	E	ISO 5211	WEIGHT KG/LBS						
		FLANGED												FLANGED						
		150 RF	300 RF	300 RJ	600 RF	600 RJ	PN 10/100	150 RF						300 RF - JR	600 RF - RJ	PN 16-40	PN 63	PN 100		
mm	DN8	106	-	-	-	-	-	106	160	13	193	F04	3.5	-	-	-	-	-		
inch	1/4"	4.3/16"	-	-	-	-	-	4.17"	6.30"	51"	7.60"	F04	7.7"	-	-	-	-	-		
mm	DN10	106	-	-	-	-	130	106	160	13	193	F04	3.5	-	-	5	6	6		
inch	3/8"	4.3/16"	-	-	-	-	5.1/8"	4.17"	6.30"	51"	7.60"	F04	7.7"	-	-	11	13.2	13.2		
mm	DN15	106	140	140	151	165	183.5	130	106	160	13	193	F04	3.2	4.5	5	7	5	6	6
inch	1/2"	4.3/16"	5.1/2"	5.1/2"	5.15/16"	6.1/2"	6.7/16"	5.1/8"	4.17"	6.30"	51"	7.60"	F04	7"	9.9"	11"	15.4"	11"	13.2"	13.2"
mm	DN20	110	152	152	165	191	191	150	110	165	16	193	F04	4.5	6.5	6.5	10.5	6.5	8.5	8.5
inch	3/4"	4.5/16"	6"	6"	6.1/2"	7.1/2"	7.1/2"	5.7/8"	4.33"	6.50"	75"	7.60"	F04	10"	12.1"	14.3"	23.1"	14.3"	18.7"	18.7"
mm	DN25	127	165	165	178	210	210	190	117	183	25	222	F06	7	7.5	9	13.5	9	11	11
inch	1"	5"	6.1/2"	6.1/2"	7"	8.1/2"	8.1/2"	6.5/16"	4.60"	7.20"	1"	8.75"	F06	15.5"	16.5"	19.8"	29.8"	19.8"	24.2"	24.2"
mm	DN32	160	178	178	191	229	229	180	152	235	38	305	F07	11	13	15	25.5	15	23.5	23.5
inch	1.1/4"	7.1/8"	7"	7"	7.1/2"	9"	9"	7.1/8"	6"	9.25"	1.5"	14.4"	F07	24"	28.6"	33"	58"	33"	52"	52"
mm	DN40	180	191	191	203	241	241	200	152	235	38	305	F07	11	14	17	28	17.5	25.5	25.5
inch	1.1/2"	7.1/8"	7.1/2"	7.1/2"	8"	9.1/2"	9.1/2"	8.1/4"	6"	9.25"	1.5"	14.4"	F07	24"	30.8"	37.5"	62"	38.6"	56.2"	56.2"
mm	DN50	216	216	216	232	292	292	230	167	-	50	-	F07	16	20	24	34	25	30	30
inch	2"	8.1/2"	8.1/2"	8.1/2"	9.1/8"	11.1/2"	11.5/8"	9.1/16"	6.57"	-	1.97"	-	F07	35"	44"	53"	75"	55"	66"	66"

NOTE:

For size DN 40 or 1.1/2" gear operated for class 300 to 600 or PN 40 to 100

For size DN 50 or 2" gear operated for all pressure ratings

REDUCED BORE																				
VALVE SIZE	NPT BSPP BSPT DN-PE-SW	A							B	C	D	E	ISO 5211	WEIGHT KG/LBS						
		FLANGED												FLANGED						
		150 RF	300 RF	300 RJ	600 RF	600 RJ	PN 10/100	150 RF						300 RF - JR	600 RF - RJ	PN 16-40	PN 63	PN 100		
mm	DN20	106	152	152	165	191	191	150	106	160	13	193	F04	3.2	5	6	8	6	7	7
inch	3/4"	4.3/16"	6"	6"	6.1/2"	7.1/2"	7.1/2"	5.7/8"	4.17"	6.30"	51"	7.60"	F04	7"	11"	13.2"	17.6"	13.2"	15.4"	15.4"
mm	DN25	110	165	165	178	210	210	180	110	165	16	193	F04	4.5	6	7.5	12.5	7.5	9.5	9.5
inch	1"	4.5/16"	6.1/2"	6.1/2"	7"	8.1/2"	8.1/2"	6.5/16"	4.33"	6.50"	75"	7.60"	F04	10"	13.2"	16.5"	27.5"	16.5"	21"	21"
mm	DN32	127	178	178	191	229	229	180	117	183	25	222	F06	7	8.5	11	15	11	13	13
inch	1.1/4"	5"	7"	7"	7.1/2"	9"	9"	7.1/8"	4.60"	7.20"	1"	8.75"	F06	15.5"	18.7"	24.2"	33"	24.2"	28.6"	28.6"
mm	DN40	180	191	191	203	241	241	200	152	235	38	305	F07	11	14	17	28	17.5	25	25
inch	1.1/2"	7.1/8"	7.1/2"	7.1/2"	8"	9.1/2"	9.1/2"	8.1/4"	6"	9.25"	1.5"	14.4"	F07	24"	30.8"	37.5"	62"	38.6"	55"	55"
mm	DN50	180	216	216	232	292	292	230	152	235	38	305	F07	11	17	21	30	22	28	28
inch	2"	7.1/8"	8.1/2"	8.1/2"	9.1/8"	11.1/2"	11.5/8"	9.1/16"	6"	9.25"	1.5"	14.4"	F07	24"	37.5"	46.3"	79.4"	48.5"	62"	62"
mm	DN80	216	293	293	306	358	358	310	152	-	38	-	F07	16	28	32	44	34	38	38
inch	3"	8.1/2"	11.1/8"	11.1/8"	11.3/4"	14"	14.1/8"	12.3/16"	6"	-	1.5"	-	F07	35"	62"	71"	97"	75"	80"	80"

NOTE:

For size DN 50 or 2" gear operated for class 300 to 600 or PN 40 to 100

For size DN 80 or 3" gear operated for all pressure ratings